



KCT
Krell Current Tunnel
CAST Preamplifier

Instructions for Use

Owner's Reference

KCT
Krell Current Tunnel
CAST Preamplifier

v 01.0

Krell Industries, Inc.
45 Connair Road
Orange, CT 06477-3650 USA
TEL 203-799-9954
FAX 203-891-2028
E-MAIL krell@krellonline.com
WEBSITE <http://www.krellonline.com>



This product complies with the EMC directive (89/336/EEC) and the low-voltage directive (73/23/EEC).

WARNINGS

The preamplifier must be placed on a firm, level surface where it is not exposed to dripping or splashing.

The ventilation grids on the top of the preamplifier and the space underneath the preamplifier must be unobstructed at all times during operation. Do not place flammable material above or beneath the preamplifier.

Before making connections to the preamplifier, ensure that the power is off and other components are in mute or stand-by mode. Make sure all cable terminations are of the highest quality, free from frayed ends, short circuits, or cold solder joints.

Do not connect an RS-232 cable to the phono power port. Output from the phono power port could seriously damage your computer. Do not connect the cable from a Krell KPE phono stage to the RS-232 port.

THERE ARE NO USER SERVICEABLE PARTS INSIDE THE PREAMPLIFIER

Please contact your authorized Krell dealer, distributor, or Krell if you have any questions not addressed in this manual.

This product is manufactured in the United States of America. Krell ® is a registered trademark of Krell Industries, Inc., and is restricted for use by Krell Industries, Inc., its subsidiaries, and authorized agents. Sustained Plateau Bias III™ is a trademark of Krell Industries, Inc. and is a Krell technology based on U.S. Patent No. 5,331,291. CAST™, CAST II™, Krell Current Mode™, Krell Link™, and Theater Throughput™ are trademarks of Krell Industries, Inc. All other trademarks and tradenames are registered to their respective companies.

Contents	Page
INTRODUCTION	1
DEFINITION OF TERMS	1
REVOLUTIONARY KRELL CAST TECHNOLOGY	3
UNPACKING	5
PLACEMENT	5
AC Power Guidelines	5
QUICK START	6
FRONT PANEL DESCRIPTION	9
BACK PANEL DESCRIPTION	12
REMOTE CONTROL DESCRIPTION	15
Battery Installation and Removal	15
CONNECTING THE KCT PREAMPLIFIER TO YOUR SYSTEM	18
Input and Output Connections	18
KRELL LINK CONNECTIONS AND OPERATION	19
TAPE INPUT AND OUTPUT	20
OPERATING THE KCT PREAMPLIFIER	21
On/Off and Stand-by Operation	21
Main Zone and Zone 2 Operation	22
TROUBLESHOOTING SYSTEM NOISE	25
CUSTOMIZING THE KCT PREAMPLIFIER	26
Z1 and Z2 Balance	26
Input Name Menu	26
Input Level Trim	27
Input Balance Trim	27
Theater (Throughput) Mode	28
Brightness	29
Mute Menu	29
Output Trigger Setup	29
Tape Output Menu	30

Contents, <i>continued</i>	Page
AC Mains Menu	30
Program Remote Menu	31
Input Trigger Setup	31
Setup Memory	32
Krell Link	32
Trigger Delay Setup	33
Exit Menu	33
QUESTIONS AND ANSWERS	34
WARRANTY	35
RETURN AUTHORIZATION PROCEDURE	36
SPECIFICATIONS	37

List of Illustrations

Figure 1 The KCT Front Panel	8
Figure 2 The KCT Back Panel	11
Figure 3 The KCT Remote Control	14

Introduction

Thank you for your purchase of the Krell Current Tunnel (KCT) CAST Preamplifier. The KCT features Krell Current Tunnel topology and Krell CAST technology, which work together to reproduce music with unparalleled sound quality. The KCT has dual zone capability for listening to music from different input devices at the same time, or listening to one input device while recording another. Each zone has its own volume and balance control.

Step-by-step menu options allow you to customize the KCT for ease of use and seamless integration into your system. Remote control features include a handheld remote control, which accesses all preamplifier functions as well as the compact disc functions on Krell compact disc players. The KCT also features Krell Link, RS-232 and 12 VDC (12 Volt trigger) remote control inputs for a variety of system control options. A menu-driven program remote option allows you to send KCT operating commands to a learning or programmable remote control.

A front panel display provides feedback on input and zone status, menu function and selection, and all preamplifier operations.

This owner's reference manual contains important information on the placement, installation, and operation of your KCT preamplifier. Please read this information carefully. A thorough understanding of these details will help ensure satisfactory operation and long life for your KCT and related system components.

Definition of Terms

Following are the definitions of key terms used in your owner's reference manual.

CONFIGURATIONS

Krell Link

A method of synchronizing remote control operation for Krell systems that include multiple preamplifiers, amplifiers, and associated components. When Krell Link in/out connections are used, the remote capabilities of the linked components are controlled from one component, called the control component. The linked components respond to stand-by and operational mode commands from the control component via MIDI cables.

Theater Throughput

Theater Throughput is a Krell configuration option that allows the signal from a surround preamp/processor to pass through a Krell preamplifier or integrated amplifier with no gain, for integrated volume and balance management of Krell home theater systems.

INPUT AND OUTPUT CONNECTIONS

Balanced

A symmetrical input or output circuit that has equal impedance from both input terminals to a common ground reference point. The industry standard for professional and sound recording installations, balanced connections have 6 dB more gain than single-ended connections and allow the use of long interconnect cables. Balanced connections are completely immune to induced noise from the system or the environment.

Krell Current Audio Signal Transmission (CAST)

A proprietary Krell circuit technology for connecting analog components, in which the audio waveform is transmitted between components in the current rather than voltage domain. The speed and bandwidth provided by Krell CAST yields accurate, realistic music reproduction. Krell components connected via CAST perform as if they are all part of a single circuit.

Single-ended

A two-wire input or output circuit. Use care when using single-ended connections as the ground connection is made last and broken first. Turn the system off prior to making or breaking single-ended connections. Single-ended connections are not recommended for connections requiring long cable runs.

OPERATION

Off

When the power button on the front panel is pressed and the blue power LED turns off, the component is off.

Operational Mode

When the power button on the front panel is pressed and the blue power LED illuminates, the component is in the operational mode and ready to play music.

Stand-by Mode

A low power consumption status that keeps the audio and regulator circuits at idle. Krell recommends leaving the component in the stand-by mode when it is not playing music.

TECHNOLOGY

Krell Current Mode

A proprietary Krell circuit topology in which the audio gain stages of a component operate in the current rather than voltage domain. This unique technology provides the component with exceptional speed and a wide bandwidth.

Krell Sustained Plateau Bias II

A proprietary Krell digital circuit that continually monitors the input signal and speaker impedance and adjusts the bias accordingly to ensure Class A operation. Sustained Plateau Bias II provides the enormous sonic benefits of continuous Class A operation while minimizing the heat generation and power consumption normally associated with Class A designs.

Revolutionary Krell CAST Technology

Current Audio Signal Transmission, termed CAST, is a revolutionary method of connecting analog audio components for unparalleled sonic performance. Innovative engineering combines the new Krell CAST circuitry with existing Krell Current Mode technology to create entire CAST systems that reproduce music with incredible range, tonality, and precision.

Voltage Signal Transmission and the Traditional Audio System

Traditionally, signal is transmitted in the voltage domain between two components. In an audio system, each component is a discrete entity with unique characteristics that act upon the musical signal independently. Each component is unaware of the other components in the system. The cables that connect the components also have their own electrical characteristics, which affect the sonic presentation of the entire system.

CAST: A New Approach

CAST circuitry recognizes signal transmitted in the current domain instead of the voltage domain between each component. CAST transmission unifies individual components and their interconnects into an electrically linked whole. The sonic presentation of the entire system remains intact.

CAST Basics

Here's how a CAST audio system works. Internally, each CAST source transfers, or amplifies, current using Krell Current Mode circuitry. This current signal is then output using CAST circuitry. When the signal is received by a CAST input, Krell Current Mode circuitry again takes over until the signal reaches the loudspeaker. By maintaining the musical signal in the current domain from beginning to end, an entire CAST system behaves as if it is one component. With CAST, anomalies of signal transmission between components are eliminated. Cable impedances and their effects on the transmitted signal are non-existent.

How CAST and Krell Current Mode Interact

While CAST is a new method of transferring the musical signal between components, its origin stems from Krell Current Mode, the technology developed to transfer the musical signal within a component. CAST combined with Krell Current Mode takes circuitry signal transmission to the next evolutionary level. In essence, Krell Current Mode maintains the integrity of the signal within the component and CAST preserves the transmitted signal between components. Together, CAST and Krell Current Mode technologies unify separate Krell components into a *single global circuit*.

CAST Cable Construction

A CAST system uses cables manufactured by Krell and other manufacturers specially licensed by Krell. Thin and flexible CAST cables are constructed with the same build quality as other Krell components and are aesthetically matched to the components that Krell manufactures. An all-metal body and locking connectors with gold contacts are part of the standard no-compromise specification developed for every CAST cable made.

The Best Musical Performance

When you operate a CAST system, you will hear significant improvements in every performance area: speed, precision, dynamic range, depth and width of the sound stage, transient impact, tonal balance, harmonic distortion, and more. The goal for CAST is the same company goal used for all Krell products. Krell strives for the delivery of the best performance of a musical event for you, using the full expression of technology to date.

Unpacking

1. Open the box and remove the top layer of foam. You see these items:
 - 1 Krell Current Tunnel (KCT) CAST Preamplifier
 - 1 power cord
 - 1 12 VDC (12 Volt trigger) cable
 - 1 remote control
 - 2 batteries for remote control
 - 1 T-10 Torx wrench for remote control
 - 1 packet of information containing the Owner's Reference and the Warranty Registration Card
2. Carefully remove the unit and accessories from the box. Remove the foam end caps and protective plastic wrap from the unit.

Notes

If any of these items are not included, please contact your authorized Krell dealer, distributor, or Krell immediately for assistance.

*Save all packing materials. If you must ship your preamplifier in the future, repack the unit in its original packaging to prevent transit damage. See **Return Authorization Procedure**, on page 36.*

Placement

Before you install the KCT preamplifier into your system, review the following guidelines to select the location for your component. This will facilitate a clean, trouble-free installation. The KCT does not require a special rack or cabinet for installation. See **Specifications**, on page 37, for the dimensions of the KCT.

The KCT requires at least two inches (5 cm) of clearance on each side and at least two inches (5 cm) of clearance above the component to provide adequate ventilation. Installations inside cabinetry may need extra ventilation.

AC POWER GUIDELINES

The KCT has superb regulation and does not require a dedicated AC circuit. Avoid connections through extension cords or multiple AC adapters. High quality 15 amp grounded AC strips are acceptable. High quality AC line conditioners or filters can be used if they are grounded and meet or exceed the unit's power supply rating of 100 VA.

Quick Start

To access the full array of available features for the KCT preamplifier, please read the entire owner's reference manual. The abbreviated procedures in this Quick Start section will allow you to connect and operate the KCT quickly and enjoy its basic features before you read the entire manual. Numbers in parentheses refer to Figure 1 on page 8, Figure 2 on page 11, and Figure 3 on page 14.

Connecting the KCT Preamplifier

1. Neatly organize the wiring between the KCT and all system components. Separate AC wires from audio cables to prevent hum or other unwanted noise from being introduced into the system.
2. Connect the CAST cables from the left and right Krell CAST 4-pin inputs (20) on the KCT back panel to the CAST-equipped output of your source equipment. For balanced or single-ended operation, connect the interconnect cables from either the left and right balanced (17), single-ended (18) or tape (19) inputs to the balanced, single-ended, or tape output of your source equipment.

Important

Connecting non-CAST components to CAST inputs or outputs can damage your equipment and void your warranty. Do not attempt to alter CAST cable ends or CAST inputs or outputs. It is electrically impossible to convert CAST input/output chassis mount connectors for balanced or single-ended operation.

Please read the Warranty, on page 35, to understand the warranty limitations of the KCT.

3. Connect the CAST (23), balanced or single-ended (22) main zone outputs on the KCT back panel to your amplifier(s).
4. Connect the balanced (24) or single-ended (25) zone 2 outputs on the KCT back panel to your amplifier(s).
5. To power on, connect the AC power cord to the IEC power connector (31), then plug the AC power cord into the wall. KRELL KCT appears in the front panel display (13), indicating that the preamplifier is initializing. After initializing is complete, the KCT is in the stand-by mode. The red stand-by LED (2) illuminates.

Operating the KCT Preamplifier

After the KCT is connected to your system and to AC power, you can begin operation. Steps for basic operation follow:

IMPORTANT

Always mute or fully attenuate the preamplifier level when switching between active sources (such as a CD player, tape monitor, or VCR).

Do not change the input connections to the preamplifier while the preamplifier is on.

Use care when setting high playback levels. Always lower the volume level at the first sign of loudspeaker distress.

1. With the KCT preamplifier in the stand-by mode (red stand-by LED [2] illuminated), switch to the operational mode by pressing the front panel power button (1) or power key (32) on the remote control. The blue power LED (3) illuminates and there is an audible click. The KCT is ready for operation.
2. With the preamplifier output muted or the volume fully attenuated, select a source manually through the front panel input select buttons (6) or through the input select keys (39) on the remote control. Start playing the source. Use the level control knob (14) or level keys (44) to set the volume to a comfortable listening level.

Note

The KCT automatically plays through the main zone until you select zone 2 operation.

3. To return the KCT to the stand-by mode, press the power button (1) or power key (32).

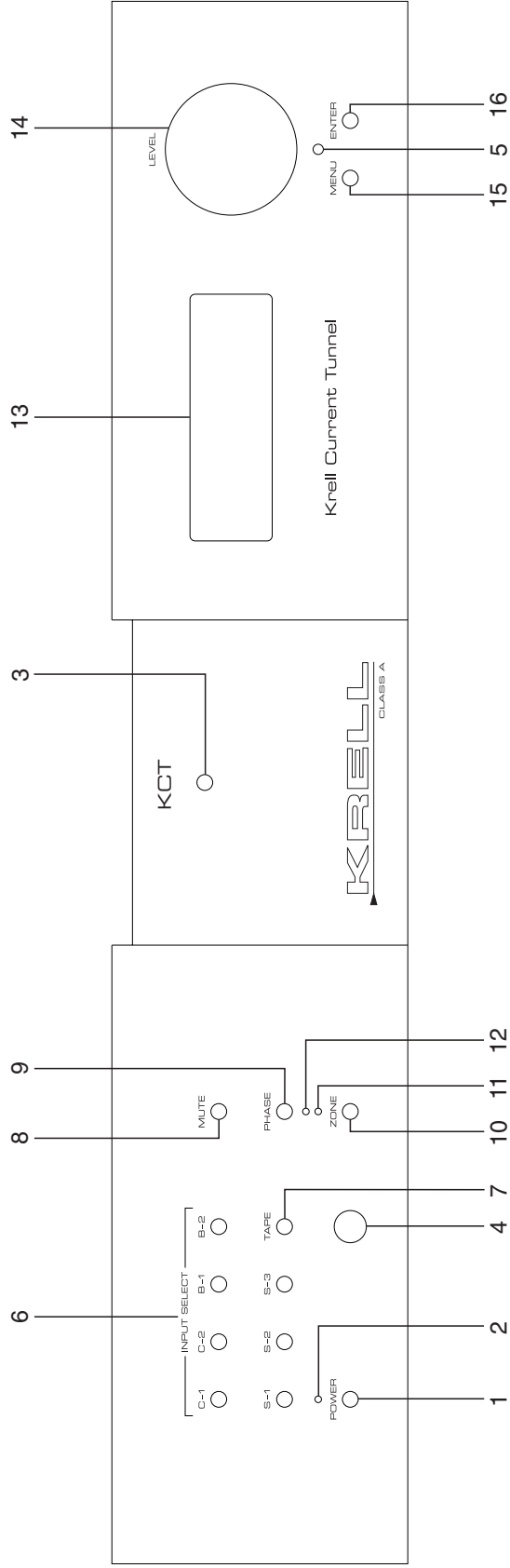
Krell recommends leaving the KCT in the stand-by mode when it is not playing music.

If you wish to turn your system off:

Turn your system off if it will not be used for a long period of time.

1. Place the amplifiers in the stand-by mode.
2. Press the power button (1) or power key (32) to switch the KCT to the stand-by mode.
3. Turn off the amplifiers using the back panel power switch or by disconnecting them from AC power.
4. Disconnect the KCT from AC power by unplugging the AC power cord from the wall.

Figure 1 The KCT Front Panel



Power

- 1 Power Button
- 2 Stand-by LED
- 3 Power LED

Remote Control Functions

- 4 Infrared Sensor
- 5 Infrared Transmitter LED

Preamplifier Functions

- 6 Input Select Buttons
- 7 Tape Button
- 8 Mute Button
- 9 Phase Button
- 10 Zone Button
- 11 Main Zone LED
- 12 Zone 2 LED

Display

- 13 Front Panel Display

Level Control

- 14 Level Control Knob

Menu Functions

- 15 Menu Button
- 16 Enter Button

Front Panel Description

See Figure 1 on page 8

The KCT preamplifier front panel provides power on, input and zone selection, level control, menu functions, and status display. Front panel features and their descriptions follow.

Power

1 Power Button

Use this button to switch the KCT between the stand-by and the operational modes.

2 Stand-by LED

The red stand-by LED illuminates when the KCT is plugged into a standard AC wall receptacle, indicating that the KCT is ready to be switched to the operational mode.

3 Power LED

The blue power LED illuminates when the KCT is in the operational mode and flashes when remote control signals are received.

Remote Control Functions

4 Infrared Sensor

The infrared sensor receives commands from the KCT remote control. For proper remote control operation, make sure the infrared sensor is not covered or obstructed.

5 Infrared Transmitter LED

The infrared transmitter LED flashes when the KCT sends infrared signals to another remote control. See ***Program Remote Menu***, on page 31.

Preamplifier Functions

6 Input Select Buttons

Use these buttons to select the corresponding rear panel input that is connected to a CAST (C-1, C-2), balanced (B-1, B-2), or single-ended (S-1, S-2, S-3) analog source. The front panel display (13) shows the active zone, the selected input, and volume level.

7 Tape Button

Use this button to select the corresponding rear panel input that is connected to a analog tape source. When TAPE is activated, the front panel display (13) shows the zone that is the pathway for the tape output. See ***Tape Output Menu***, on page 30.

8 Mute Button

Use this button to mute the preamplifier output. To unmute, press the mute button again. To customize mute button operation, see ***Mute Menu***, on page 29.

9 Phase Button

Use this key to invert the absolute polarity of the variable output 180 degrees for the selected input. The front panel display (13) shows INVERT for the negative phase; the display remains blank for the positive phase.

10 Zone Button

Use this button to select the main zone (the main listening or viewing area) or zone 2 (another listening area).

11 Main Zone LED

The red main zone LED illuminates when the main zone is activated. Zone status is also shown in the front panel display (13).

12 Zone 2 LED

The green zone 2 LED illuminates when zone 2 is activated. Zone status is also shown in the front panel display (13).

Display

13 Front Panel Display

The front panel display provides preamplifier status messages, including input and zone selection, tape output status, volume and balance level, and menu selections.

Level Control

14 Level Control Knob

Use this knob to increase or decrease system volume level or, with the balance key, to adjust balance. The level control knob is also used to select menu options to customize the KCT. See ***Customizing the KCT Preamplifier***, on page 26.

Menu Functions

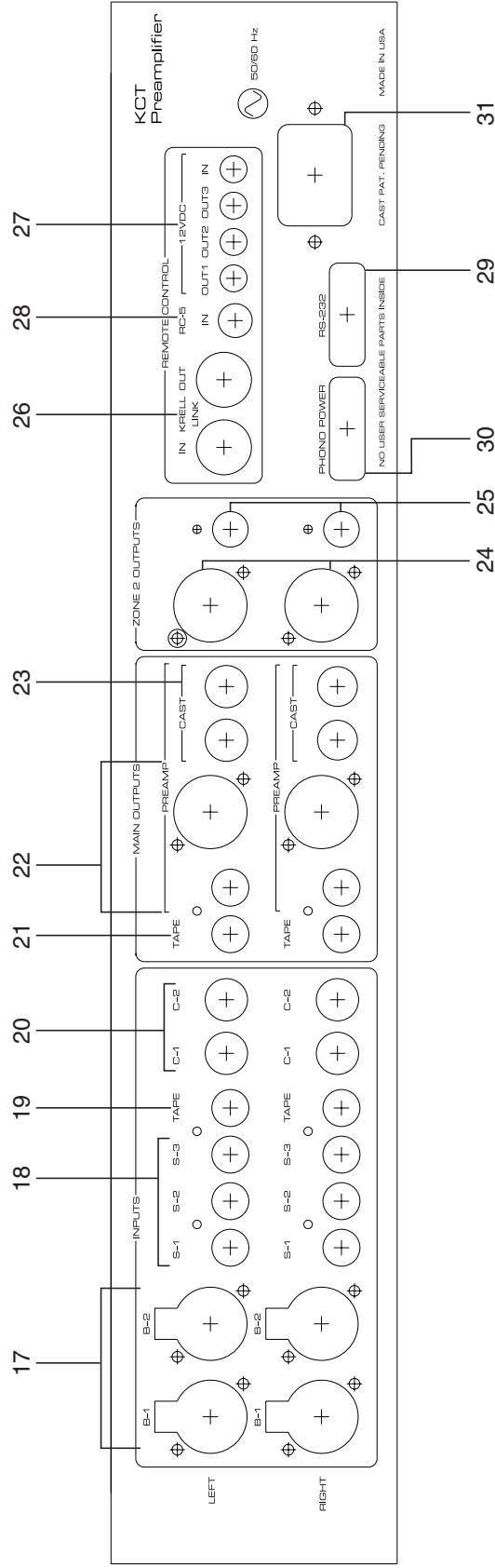
15 Menu Button

Use the menu button to access menu options for customizing the KCT. The front panel display shows MAIN MENU and submenu name. See ***Customizing the KCT Preamplifier***, on page 26.

16 Enter Button

Use this key to access submenu selections.

Figure 2 The KCT Back Panel



Inputs

- 17 B-1 and B-2 Left and Right Balanced Inputs
- 18 S-1, S-2, and S-3 Left and Right Single-ended Inputs
- 19 Tape Left and Right Inputs
- 20 C-1 and C-2 Left and Right CAST Inputs

Tape Output

- 21 Tape Output
- Main (Zone) Outputs**
- 22 Preamp Left and Right Outputs
- 23 CAST Preamp Outputs
- Zone 2 Outputs**
- 24 Balanced Left and Right Outputs
- 25 Single-ended Left and Right Outputs

Back Panel Remote

- Control**
- Inputs and Outputs**
- 26 Krell Link In and Out
- 27 12 VDC In and Out
- 28 RC-5 In
- 29 RS-232
- Phono Stage Connector**
- 30 Phono Power
- Power**
- 31 IEC Power Connector

Back Panel Description

See Figure 2 on page 11

The KCT preamplifier back panel provides all input and output connections, remote control inputs and outputs, and power connection. Back panel features and their descriptions follow.

Inputs

17 B-1 and B-2 Left and Right Balanced Inputs

The KCT is equipped with two pairs of balanced analog source inputs with XLR connectors.

18 S-1, S-2, and S-3 Left and Right Single-ended Inputs

The KCT is equipped with three pairs of single-ended analog source inputs with RCA connectors.

19 Tape Left and Right Inputs

The KCT is equipped with one pair of single-ended tape source inputs with RCA connectors.

20 C-1 and C-2 Left and Right CAST Inputs

The KCT is equipped with two pairs of CAST inputs with 4-pin bayonet connectors, for use with Krell CAST-equipped input devices.

Tape Output

21 Tape Left and Right Outputs

The KCT is equipped with one pair of tape outputs with RCA connectors.

Main (Zone) Outputs

The following outputs are for the main zone.

22 Preamp Left and Right Outputs

The KCT is equipped with two pairs of preamplifier outputs: one pair of balanced outputs with XLR connectors and one pair of single-ended outputs with RCA connectors.

23 CAST Preamp Outputs

The KCT is equipped with two pairs of CAST preamplifier outputs with 4-pin bayonet connectors, for use with Krell CAST-equipped amplifiers.

Zone 2 Outputs

The following outputs are for zone 2.

24 Balanced Left and Right Outputs

The KCT is equipped with one pair of balanced outputs with XLR connectors.

25 Single-ended Left and Right Outputs

The KCT is equipped with one pair of single-ended outputs with RCA connectors.

Back Panel Remote Connections

26 Krell Link In and Out

The KCT is equipped with a Krell Link communications input and output data port. Krell Link allows synchronized remote power on and off of other components connected with Krell Link. See ***Krell Link Connections and Operation***, on page 19.

27 12 VDC In and Out

The KCT is equipped with three outputs that send and one input that receives 12 VDC power on/off (12 V trigger) signals to and from other Krell components and other devices that incorporate a 12 V trigger. This allows you to turn other components on or off, or to and from stand-by, through the remote control. When the KCT is switched to the operational mode and is connected to other components through the 12 V trigger, it sends a signal that will switch other components, allowing whole systems or parts of systems to be easily coordinated.

Notes

The 12 VDC output power is limited to 30 ma.

Consult the owner's reference manual of the components used in a custom installation to take full advantage of the remote capabilities of the KCT.

28 RC-5 In

The KCT is equipped with an RC-5 input that makes custom installation easy and secure by accepting baseband RC-5 input commands from hardwired remote controllers.

29 RS-232

The KCT is equipped with an RS-232 port that receives messages from a computer-based control system, providing integrated control of all preamplifier functions. See the KCT developer's reference, "*RS-232 Port: Sending Commands and Interpreting Data*," for more information.

Phono Stage Connector

30 Phono Power

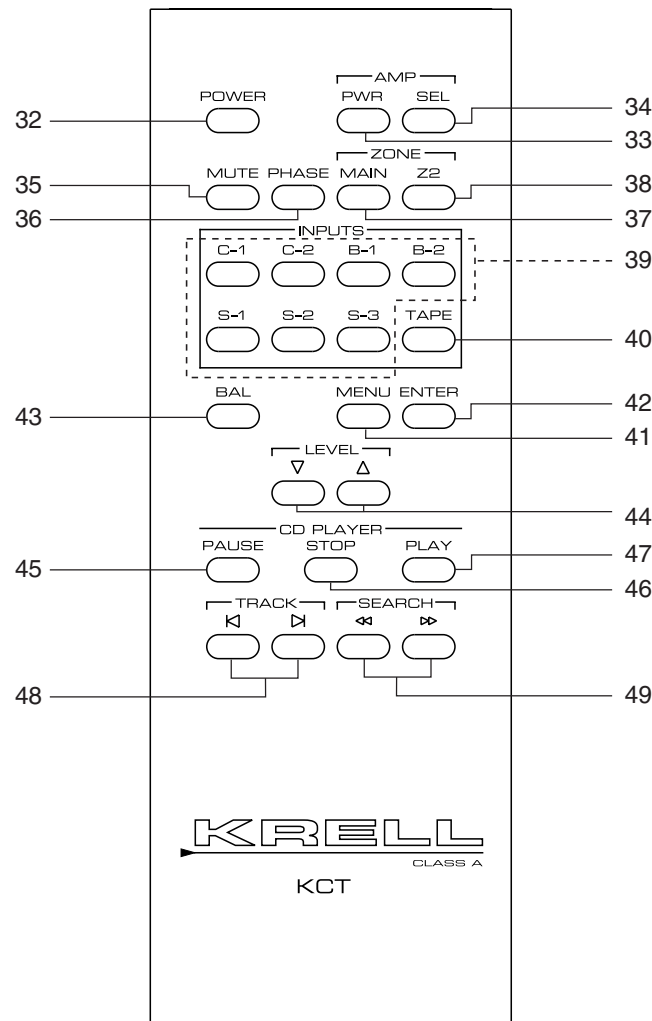
The KCT is equipped with a phono power port, for connecting the KCT with a Krell KPE phono stage.

Power

31 IEC Power Connector

The IEC power connector is for use with the provided IEC standard 15 amp AC power cord.

Figure 3 The KCT Remote Control



Power

32 Power Key

Amplifier Functions

33 Amp Pwr Key

34 Amp Sel(ect) Key

Preamplifier Functions

35 Mute Key

36 Phase Key

37 Main Zone Key

38 Z2 Key

39 Input Select Keys

40 Tape Key

Menu Functions

41 Menu Key

42 Enter Key

Level Control

43 Bal(ance) Key

44 Level Keys

Compact Disc Functions

45 Pause Key

46 Stop Key

47 Play Key

48 Track Forward

and Back Keys

49 Search Forward

and Back Keys

Remote Control Description

See Figure 3 on page 14

BATTERY INSTALLATION AND REMOVAL

The KCT remote control uses two AAA-size 1.5 Volt batteries. Batteries are included with the shipment. To install the batteries:

1. Remove the remote control backplate, using the supplied T-10 Torx wrench.
2. Install the batteries, following the battery position diagram on the plastic battery receptacle.
3. Replace and secure the backplate.

Replace batteries when remote control function becomes intermittent.

Remove batteries if the remote control is not used for a long period of time. Battery leakage can damage the remote control.

The remote control provides power on, input and zone selections, level and balance control, menu, and compact disc functions. Remote control keys and their descriptions follow.

Power

32 Power Key

Use this key to switch the KCT between the stand-by and the operational modes.

Amplifier Functions

33 Amp Pwr Key

Use this key to activate Krell amplifiers connected to your system. The amp pwr key also activates the control component for amplifiers connected by Krell Link.

34 Amp Sel(ect) Key

Use this key to switch between CAST and balanced inputs on a Krell Full Power Balanced amplifier connected to your system. The red center LED illuminates when the CAST output is active.

Preamplifier Functions

35 Mute Key

Use this key to mute the preamplifier output. To unmute, press the mute key again. To customize mute key operation, see ***Mute Menu***, on page 29.

36 Phase Key

Use this key to invert the absolute polarity of the variable output 180 degrees for the selected input. The front panel display (13) shows INVERT for the negative phase; the display remains blank for the positive phase.

37 Main Zone Key

Use this key to select the main zone (the main listening or viewing area). The red main zone LED (11) on the front panel illuminates when the main zone is activated.

38 Z2 Key

Use this key to select zone 2. The green zone 2 LED (12) illuminates when zone 2 is activated.

Note

Both zones can play simultaneously.

39 Input Select Keys

Use these keys to select the corresponding rear panel input that is connected to a CAST (C-1, C-2), balanced (B-1, B-2), or single-ended (S-1, S-2, S-3) analog source. The front panel display (13) shows the selected input, the active zone, and volume level.

40 Tape Key

Use this key to select the corresponding rear panel input that is connected to a tape analog source. When TAPE is activated, the front panel display (13) shows the zone that is the pathway for the tape output. See ***Tape Output Menu***, on page 30.

Menu Functions

41 Menu Key

Use this key to access the menu options for customizing the KCT. The front panel display (13) shows MAIN MENU and submenu name. See ***Customizing the KCT Preamplifier***, on page 26.

42 Enter Key

Use this key to access submenu selections.

Level Control

43 Bal(ance) Key

Use this key, along with level keys (44) or level knob (14) on the front panel, to balance output levels. The front panel display (13) shows balance status for three seconds.

44 Level Keys

Use these keys to increase or decrease system volume level or, with the balance key (43), to adjust balance. The level keys are also used to select menu options to customize the KCT. See ***Customizing the KCT Preamplifier***, on page 26.

Compact Disc Functions

The compact disc keys on the KCT remote control are functional with all Krell compact disc players.

45 Pause Key

Use this key to temporarily suspend playing the current compact disc track. To resume playing the track at the point pause was engaged, press pause again or press the play key (47).

46 Stop Key

Use this key to end compact disc playback.

47 Play Key

Use this key to begin compact disc playback.

48 Track Forward and Back Keys

Use these keys to select and begin playing the track that follows or precedes the current track.

49 Search Forward and Back Keys

Press and hold these keys to scroll forward or backward through the current track.

Note

For information on track programming functions, refer to the owner's reference manual for your Krell compact disc player.

Connecting the KCT Preamplifier to Your System

See Figure 2 on page 11

INPUT AND OUTPUT CONNECTIONS

Krell recommends using its proprietary Krell CAST system for unparalleled sonic performance between the KCT and other CAST-equipped components.

The KCT also offers conventional balanced operation. The circuitry and connections associated with balanced operation not only can minimize sonic loss but also are immune to induced noise, especially for installations using long cables.

The XLR pin configuration is described below:

Pin 1 Ground

Pin 2 Non-inverting (0°)

Pin 3 Inverting (180°)

Inputs and outputs are located on the KCT back panel. Maintain the correct left/right orientation.

IMPORTANT

Connecting non-CAST components to CAST inputs or outputs can damage your equipment and void your warranty. Do not attempt to alter CAST cable ends or CAST inputs or outputs. It is electrically impossible to convert CAST input/output chassis mount connectors for balanced or single-ended operation.

Follow these steps to connect the KCT preamplifier to your system.

1. Neatly arrange and organize the wiring to and from the KCT and all components. Separate AC wires from audio cables to prevent hum or other unwanted noise from being introduced into the system.
2. Connect the outputs of your source equipment to the appropriate CAST (20), balanced (17), single-ended (18) or tape (19) inputs on the KCT back panel.
3. Connect the appropriate main (22 or 23) and zone 2 (24 or 25) outputs on the KCT back panel to your amplifier(s).
4. Connect the KCT to AC power. Connect the AC power cord to the IEC power connector (31), then plug the AC power cord into the wall. KRELL KCT appears in the front panel display (13), indicating that the preamplifier is initializing. After initializing is complete, the KCT is in the stand-by mode. The red stand-by LED (2) illuminates.

Krell Link Connections and Operation

Krell Link in/out connectors on the KCT back panel allow you to synchronize remote control operation for systems that include multiple amplifiers and associated components. When the Krell Link in/out connectors are used, the remote capabilities of the linked components are controlled from one amplifier or preamplifier, called the control component. The linked components respond to stand-by and operational mode commands from the control component via MIDI cables. See **Krell Link**, on page 32, for menu options to customize Krell Link operation.

Note

Krell Link uses standard five pin MIDI communication cables, sometimes called MIDI Plus cables. MIDI cables can be purchased from your authorized distributor or dealer, or from an audio supply store.

Connecting Components through Krell Link

1. Turn all components off. This ensures all components are synchronized when the MIDI cable is connected.
2. Select the component to be the control component. The control component must be in plain view for proper remote control operation.
3. Connect one end of the MIDI cable to the Krell Link out connector (26) on the control component back panel.
4. Connect the other end of a MIDI cable to the Krell Link in connector (26) on the back panel of the next component.
5. To link another component, connect another MIDI cable to the Krell Link out connector on the back panel of the second component. Connect the remaining end of the MIDI cable to the Krell Link in connector, on the back panel of a third component.
6. Link additional components, if desired.

The components are now ready for operation with Krell Link.

Krell Link Operation

1. When all components are connected, as described above, place each component in the stand-by mode. This ensures all components are synchronized when signals from the control component are sent to linked components.
2. Switch the control component to the operational mode from the component's front panel power button or through the power key on the remote control. The linked components simultaneously switch to the operational mode.

An individual linked component can be switched between the stand-by and the operational modes from its front panel. Switching a linked component temporarily breaks the chain of linked components. To re-establish linked operation, return all components to the stand-by mode.

Tape Input and Output

The KCT preamplifier has a discrete tape input and output. The tape output is used to channel a signal from a C-1, C-2, B-1, B-2, S-1, S-2, or S-3 input to a recording device or processor. You can use the tape feature in two ways:

1. Use the tape input to compare the output signal of a three-head analog tape recorder to the output signal of an audio source, when making a recording. To activate this function, select an audio source for recording using either the C-1, C-2, B-1, B-2, S-1, S-2, or S-3 input select buttons (6) or keys (39). Press the tape button (7) or tape key (40) to switch between the tape recorder output and the input source.
2. Use the tape output to create a processor loop, when the KCT is connected to a graphic equalizer or other ancillary equipment. To activate this function, connect the equipment to the KCT tape outputs (21) as described in the equipment manufacturer's manual. Press the tape button (7) or tape key (40) to switch between the processor output and the input source.

For both tape features, the KCT front panel display (13) shows TAPEOUT ZONE 1 or TAPEOUT ZONE 2, indicating the zone that is the pathway for the tape output. The display changes to TAPE MONITOR after three seconds.

You can also configure the tape output to record music from an input device through zone 2 while you listen to music from another input device through the main zone. You can also record through the main zone and listen through zone 2. To select a zone for tape output, see ***Tape Output Menu***, on page 30.

Operating the KCT Preamplifier

The KCT preamplifier is easy to install and operate. Instructions follow for on/off and stand-by operation, and zone operating options.

IMPORTANT

Always mute or fully attenuate the preamplifier level when switching between active sources (such as a CD player, tape monitor, or VCR).

Do not change the input connections to the preamplifier while the preamplifier is on.

Use care when setting high playback levels. Always lower the volume level at the first sign of loudspeaker distress.

ON/OFF AND STAND-BY OPERATION

1. With the KCT plugged into the AC power source and in the stand-by mode (red stand-by LED [2] illuminated), switch to the operational mode by pressing the front panel power button (1) or power key (32) on the remote control. The blue power LED (3) illuminates and there is an audible click. The KCT is ready for operation.
2. With the preamplifier output muted or the volume fully attenuated, select a source manually through the front panel input select buttons (6) or through the input select keys (39) on the remote control. Start playing the source. Use the level control knob (14) or level keys (44) to set the volume to a comfortable listening level.

Note

The KCT automatically plays through the main zone until you select zone 2 operation.

3. To return the KCT to the stand-by mode, press the power button (1) or power key (32).

Krell recommends leaving the KCT in the stand-by mode when it is not playing music.

If you wish to turn your system off:

Turn your system off if it will not be used for a long period of time.

1. Place the amplifiers in the stand-by mode.
2. Press the power button (1) or power key (32) to switch the KCT to the stand-by mode.
3. Turn off the amplifiers using the power switch, or unplug the AC power cord.
4. Disconnect the KCT from AC power by unplugging the AC power cord from the wall.

MAIN ZONE AND ZONE 2 OPERATION

The KCT preamplifier's two-zone operation offers a number of listening options.

Play Both Zones

This option allows you to play one input device through both zones or play a different device through each zone simultaneously, and adjust volume levels for each zone.

1. Press the power button (1) or power key (32) to switch the KCT from the stand-by to the operational mode. The front panel display (13) shows the main zone is active, the currently selected input, and main zone volume level.
2. Press the input select button (6) or key (39) to select the device you wish to play in the main zone.
3. Begin playing the device. Use the level control knob (14) or level keys (44) to adjust main zone volume to the desired level.
4. Press the zone button (10) or Z2 key (38) to select zone 2. The front panel display shows zone 2 is active, the currently selected input, and zone 2 volume level.
5. Press the input select button (6) or key (39) to choose another device to play in zone 2. You can choose the same input device to play in both zones, if you wish.
6. Begin playing the device. Use the level control knob (14) or level keys (44) to adjust zone 2 volume to the desired level.

To turn off this option:

1. Press the Z2 key (38) to select zone 2.
2. Press the power button (1) or power key (32) once. This turns off zone 2 and switches you to the main zone.
3. Press the power button or key again to turn off the main zone and return to the stand-by mode.

Play Either Zone

This option allows you to play an input device in either the main zone or zone 2.

Main Zone Only

1. Press the power button (1) or power key (32) to switch the KCT from the stand-by to the operational mode. The front panel display shows the main zone is active, the currently selected input, and the main zone volume level.
2. Press the input select button (6) or key (39) to select the device you wish to play in the main zone.
3. Begin playing the device. Use the level control knob (14) or level keys (44) to adjust the main zone volume to the desired level.
4. Press the main zone key (37) again. The preamplifier returns to the stand-by mode.

Zone 2 Only

1. With the KCT in the stand-by mode, press the zone button (10) or Z2 key (38). The front panel display (13) shows zone 2 is active.
2. Press the input select key (39) to select the device you wish to play in zone 2. The KCT will switch to the operational mode and the device will play in zone 2 only.
3. Press the zone button (10) or Z2 key (38) again. Zone 2 stops playing and the KCT switches back to the stand-by mode.

Note:

When you press the power button (1) or key (32) to return to the operational mode, the KCT is in the main zone.

Play and Record

This option allows you to play an input device through the main zone while sending output from another device through zone 2 for recording. You can also record through the main zone and listen through zone 2.

1. Press the power button (1) or key (32) to switch the KCT from the stand-by to the operational mode. The front panel display shows the main zone is active, the currently selected input, and main zone volume level.
2. Press the input select button (6) or key (39) to select the input device that you want to play through the main zone.
3. Begin playing the device. Use the level control knob (14) or level keys (44) to adjust the main zone volume to the desired listening level.
4. Press the menu button (15) or key (41) to select the main menu. The front panel display (13) shows MENU.
5. Use the level control knob (14) or level keys (44) to select the TAPE OUTPUT MENU.
6. Press the enter button (16) or key (42) to access the submenu. The front panel display shows OUTPUT FROM ZONE1.
7. Use the level control knob (14) or level keys (44) to select OUTPUT FROM ZONE2.
8. Press the menu button or key to exit the main menu.
9. Press the zone button (10) or Z2 key (38) to select zone 2.
10. Press the input select button (6) or key (39) to select the input device that you want to record through zone 2. Begin playing the device.
11. Press the tape button (7) or key (40). The front panel display shows TAPEOUT ZONE2. The input will begin recording through zone 2. The front panel display shows TAPE MONITOR after three seconds.

While you are recording through zone 2, you can also press the zone button (10) or main zone key (37) to check playback through the main zone, without interrupting the recording through zone 2.

To stop recording:

1. Press the zone button (10) or Z2 key (38) to select zone 2.
2. Press the tape button (7) or key (40).

Troubleshooting System Noise

When you mix and match high-performance audio components, each with its own ground potential, a low frequency hum may occur in one or both loudspeakers. If this happens when you place the KCT preamplifier into your system, follow these simple troubleshooting steps.

1. Check that all input and output connections are of sound construction.
2. With the preamplifier off, remove the interconnect cables, then turn the preamplifier on. If the hum disappears, turn the preamplifier off and reinsert one of the interconnect cables. Turn the amplifier back on. Repeat this process for each cable.
3. If the hum reappears with one or both interconnect cables reinserted, the cable needs to be replaced.
4. If the interconnect cables are sound, you may be experiencing a ground loop. Please contact your authorized Krell dealer, distributor, or Krell for suggestions on how to eliminate it.

Customizing the KCT Preamplifier

The KCT preamplifier's easy-to-use menu options allow you to select and set preferred operating options for balance, inputs, trims, Theater Throughput mode, display brightness, mute, trigger setup and delay, tape output, AC mains, remote programming, setup memory, and Krell Link. The instructions below follow the menu order on your KCT.

IMPORTANT

You do not need to press enter to set a selection. The last selection chosen is the one entered in the system.

If at any time you wish to exit the menu without changing the settings, select EXIT MENU (the last menu option) and press the enter button or key.

Z1 AND Z2 BALANCE

This option allows you to add a fixed positive offset to the main zone and zone 2 balance. With this feature, you can set the balance that is unique to your system's configuration.

1. Press the menu button (15) or key (41) to access the main menu.
2. The front panel display (13) reads Z1 BALANCE (the default).
3. Press the enter button (16) or key (42). The front panel display shows ZONE 1 BALANCE and the current balance setting.
4. Use the level control knob (14) or level keys (44) to adjust the balance to the desired setting from 0 to +6 dB, in .5 dB increments.
5. Press the enter button (16) or key (42) to return to the main menu or press the menu button (15) or key (41) to exit the menu mode.

To adjust the fixed offset for zone 2:

1. Press the menu button (15) or key (41) to select the main menu
2. Use the level control knob (14) or level keys (44) to select Z2 BALANCE.
3. Repeat steps 4 and 5 above.

INPUT NAME MENU

This option allows you to assign names to all inputs, for easy identification.

1. Press the menu button (15) or key (41) to access the main menu.
2. Use the level control knob (14) or level keys (44) to select INPUT NAME MENU.
3. Press the enter button (16) or key (42). The front panel display (13) shows INPUT NAMES and S-1 (the default).

-
4. Use the level control knob (14) or level keys (44) to select the desired input from the list (S-1, B-1, C-1, tape, etc.).
 5. Press the enter button (16) or key (42) to access the submenu.
 6. Use the level control knob (14) or level keys (44) to scroll through the list of naming options (phono, aux, etc.). The front panel display (13) will show the new input name when you exit the menu.
 7. To name another input, press the enter button (16) or key (42) to return to the input name menu.
 8. Repeat steps 4 through 6.
 9. Press the menu button (15) or key (41) to exit the menu mode.

INPUT LEVEL TRIM

This option allows you to add a fixed positive or negative volume offset to compensate for input devices with significantly different output levels. After adjusting input level trim, you can switch between these input devices without major changes in volume.

1. Press the menu button (15) or key (41) to access the main menu.
2. Use the level control knob (14) or level keys (44) to select INPUT LEVEL TRIM.
3. Press the enter button (16) or key (42). The front panel display (13) shows INPUT LEVEL TRIMS and S1 (the default).
4. Use the level control knob (14) or level keys (44) to select the desired input from the list (S-1, B-1, tape, etc).
5. Press the enter button (16) or key (42). The front panel display (13) shows the existing volume.
6. Use the level control knob (14) or level keys (44) to scroll through the available volume settings from -6 to $+6$ dB, in .5 dB increments.
7. To adjust level trim for another input, press the enter button (16) or key (42) to return to the input level trim menu.
8. Repeat steps 4 through 6.
9. Press the enter button (16) or key (42) to return to the main menu, or press the menu button (15) or key (41) to exit the menu mode.

INPUT BALANCE TRIM

This option allows you to add different left and right balance offsets for different inputs.

1. Press the menu button (15) or key (41) to access the main menu.
2. Use the level control knob (14) or level keys (44) to select INPUT BALANCE TRIM.

-
3. Press the enter button (16) or key (42). The front panel display (13) shows INPUT BALANCE TRIM and S-1 (the default).
 4. Use the level control knob (14) or level keys (44) to select the desired input (S-1, B-1, tape, etc.).
 5. Press the enter button (16) or key (42). The front panel display (13) shows the current balance of the selected input.
 6. Use the level control knob (14) or level keys (44) to scroll through the list of available balance offsets from 0 to +6 dB, right and left, in .5 dB increments.
 7. To set the balance trim for another input, press the enter button (16) or key (42) to return to the input balance trim menu.
 8. Repeat steps 4 through 6.
 9. Press the enter button (16) or key (42) to return to the main menu, or press the menu button (15) or key (41) to exit the menu mode.

THEATER (THROUGHPUT) MODE

This option allows you to simplify the integration of an audio/video surround sound processor into your system by setting the CAST, balanced, or single-ended inputs to operate as a unity gain stage. Krell calls this configuration Theater Throughput.

When you configure a KCT input for Theater Throughput, the KCT volume and balance controls are transferred to the audio/video surround sound processor, for integrated volume and balance management and ease of operation. As long as the KCT input is configured for Theater Throughput and connected to the audio/video surround sound processor's main outputs, all system volume and balance adjustments are made through the surround sound processor. When you disengage the KCT input from Theater Throughput, the volume and balance controls revert to the KCT.

1. Press the menu button (15) or key (41) to access the main menu.
2. Use the level control knob (14) or level keys (44) to select THEATER MODE.
3. Press the enter button (16) or key (42). The front panel display (13) shows THEATER MODE and S-1.
4. Use the level control knob (14) or level keys (44) to select the input to be placed in Theater Throughput mode.
5. Press the enter button (16) or key (42). The front panel display (13) shows OFF (the default).
6. Use the level control knob (14) or level keys (44) to select whether Theater Throughput mode is off or on.
7. To select or disengage Theater Throughput for another input, press the enter button (16) or key (42) to return to the theater mode menu.

-
- Repeat steps 4 through 6.
 - Press the menu button (15) or key (41) to exit the menu mode.

BRIGHTNESS

This option allows you to adjust the front panel display brightness.

- Press the menu button (15) or key (41) to access the main menu.
- Use the level control knob (14) or level keys (44) to select BRIGHTNESS.
- Press the enter button (16) or key (42). The front panel display (13) shows HIGH (the default).
- Use the level control knob (14) or level keys (44) to select the desired brightness option (HIGH, FULL, BRIGHTNESS OFF, LOW, AND MEDIUM). The front panel display (13) illustrates each level of brightness.
- Press the enter button (16) or key (42) to return to the main menu or press the menu button (15) or key (41) to exit the menu mode.

Note

If you choose OFF, the front panel display will remain on until you exit the menu mode. Press menu again to display the main menu.

MUTE MENU

This option allows you to customize mute button or mute key to operate in either the main zone or zone 2, only in the zone that is currently active, or in both zones.

- Press the menu button (15) or key (41).
- Use the level control knob (14) or level keys (44) to select MUTE MENU.
- Press the enter button (16) or key (42). The front panel display (13) shows MUTE ACTIVE ZONE (the default).
- Use the level control knob (14) or level keys (44) to highlight the mute options (MUTE ZONE 1, MUTE ZONE 2, MUTE BOTH ZONES, MUTE ACTIVE ZONE).
- Press the enter button (16) or key (42) to return to the main menu or press the menu button (15) or key (41) to exit the menu mode.

OUTPUT TRIGGER SETUP

This option allows you to configure the activation of three 12 VDC (12 Volt trigger) outputs to be always off or on, or to activate only with selected zones.

- Press the menu button (15) or key (41) to access the main menu.
- Use the level control knob (14) or level keys (44) to select OUTPUT TRIGGER SETUP.
- Press the enter button (16) or key (42). The front panel display (13) shows TRIGGER 1.

-
4. Use the level control knob (14) or level keys (44) to select the desired trigger (1, 2, or 3).
 5. Press the enter button (16) or key (42) again. The front panel display (13) shows ALWAYS OFF (the default).
 6. Use the level control knob (14) or level keys (44) to select the desired trigger option (ALWAYS OFF, ON FOR ZONE 1, ON FOR ZONE 2, ON FOR BOTH ZONES, ALWAYS ON).
 7. To configure another trigger, press the enter button (16) or key (42) to return to the output trigger setup menu.
 8. Repeat steps 4 through 6.
 9. Press the menu button (15) or key (41) to exit the menu mode.

TAPE OUTPUT MENU

This option allows you to choose the zone through which the tape output receives its signal. With this option you can record music from one input device through one zone while listening to music from another device through the other zone.

1. Press the menu button (15) or key (41) to access the main menu.
2. Use the level control knob (14) or level keys (44) to select TAPE OUTPUT.
3. Press the enter button (16) or key (42). The front panel display (13) shows OUTPUT FROM ZONE1 (the default).
4. Use the level control knob (14) or level keys (44) to select the desired output (OUTPUT FROM ZONE1, OUTPUT FROM ZONE2).
5. Press the enter button (16) or key (42) to return to the main menu or press the menu button (15) or key (41) to exit the menu mode.

AC MAINS MENU

This option allows the KCT to go directly from off to the operational mode and bypass the stand-by mode.

1. Press the menu button (15) or key (41) to access the main menu.
2. Use the level control knob (14) or level keys (44) to select ACMAINS MENU.
3. Press the enter button (16) or key (42). The front panel display (13) shows ACMAINS OFF (the default).
4. Use the level control knob (14) or level keys (44) to select ACMAINS OFF or ACMAINS ON.
5. Press the enter button (16) or key (42) to return to the main menu or press the menu button (15) or key (41) to exit the menu mode.

PROGRAM REMOTE MENU

This option allows the KCT to send its remote control commands to a learning or programmable remote control.

Note

You must place the programmable remote in front of the KCT infrared sensor to send remote control commands.

1. Press the menu button (15) or key (41) to access the main menu.
2. Use the level control knob (14) or level keys (44) to select PROGRAM REMOTE MENU.
3. Press the enter button (16) or key (42). The front panel display (13) shows S1 SELECT (the default).
4. Use the level control knob (14) or level keys (44) to scroll through all the remote control command options.
5. Press the enter button (16) or key (42). The front panel display (13) shows TRANSMITTING.
6. To select additional commands, press the enter button (16) or key (42) to return to the program remote menu.
7. Repeat steps 4 and 5 to select and transmit additional commands.
8. The last command on the submenu is EXIT. Select EXIT and press the enter button (16) or key (42) to return to the main menu.
9. Press the menu button (15) or key (41) to exit the menu mode.

INPUT TRIGGER SETUP

This option allows you to configure which zone is activated by the 12 VDC (12 Volt trigger) input.

1. Press the menu button (15) or key (41) to access the main menu.
2. Use the level control knob (14) or level keys (44) to select INPUT TRIGGER SETUP.
3. Press the enter button (16) or key (42). The front panel display (13) shows TURN ON BOTH (the default).
4. Use the level control knob (14) or level keys (44) to select the preferred input trigger setup option (TURN ON BOTH, INACTIVE, TURN ON ZONE 1, TURN ON ZONE 2).
5. Press the enter button (16) or key (42) to return to the main menu or press the menu button (15) or key (41) to exit the menu mode.

SETUP MEMORY

This option allows you to save or recall new settings, or reset all settings to the factory defaults. Remember, to exit the setup memory without altering the settings, select exit and press the enter button (16) or key (42). You return to the main menu.

1. Press the menu button (15) or key (41) to access the main menu.
2. Use the level control knob (14) or level keys (44) to select SETUP MEMORY.
3. Press the enter button (16) or key (42). The front panel display (13) shows SAVE ALL SETTINGS (the default).
4. Use the level control knob (14) or level keys (44) to select the preferred setup memory (SAVE ALL SETTINGS, RECALL ALL SETTINGS, FACTORY SETTINGS).
5. Press the enter button (16) or key (42). The front panel display (13) shows PLEASE WAIT. The KCT switches into the stand-by mode and reinitializes. The front panel display shows KRELL KCT.
6. Press the power button (1) or key (32) to return the KCT to the operational mode. The settings you selected are stored.

KRELL LINK

This option allows you to customize the operation of the KCT and Krell amplifiers connected with Krell Link. See ***Krell Link Connections and Operation***, on page 19.

1. Press the menu button (15) or key (41) to access the main menu.
2. Use the level control knob (14) or level keys (44) to select KRELL LINK.
3. Press the enter button (16) or key (42). The front panel display (13) shows DISABLED (the default).
4. Use the level control knob (14) or level keys (44) to select the preferred Krell Link option (DISABLED, ENABLED, AUTO ON).

Following are the definition of terms used with Krell Link.

Disabled. The amplifiers connected through Krell Link remain off when the KCT is switched to the operational mode, for example, if you wish to record without listening to music. The amplifiers can not be powered on when this option is engaged.

Enabled. The amplifiers connected through Krell Link remain off when the KCT is switched to the operational mode. To turn the amplifiers on and off, use the amp pwr key (33) on the KCT remote control.

Auto On. The amplifiers connected through Krell Link automatically power on when you switch the KCT to the operational mode and power off when you turn the KCT off.

5. Press the enter button (16) or key (42) to return to the main menu or press the menu button (15) or key (41) to exit the menu mode.

TRIGGER DELAY SETUP

This option allows you to customize the number of seconds (from 0 to 5) before a trigger activates.

1. Press the menu button (15) or key (41) to access the main menu.
2. Use the level control knob (14) or level keys (44) to select TRIGGER DELAY SETUP.
3. Press the enter button (16) or key (42). The front panel display (13) shows TRIGGER 1.
4. Use the level control knob (14) or level keys (44) to select the trigger (1, 2, or 3) that you wish to configure.
5. Press the enter button (16) or key (42).
6. Use the level control knob (14) or level keys (44) to select the trigger delay time (from 0 to 5 seconds).
7. To configure the delay for another trigger, press the enter button (16) or key (42) to return to the trigger delay setup menu.
8. Repeat steps 4 through 6.
9. Press the enter button (16) or key (42) to return to the main menu or press the menu button (15) or key (41) to exit the menu mode.

EXIT MENU

This option allows you to exit the menu mode after you have set all preferred configuration options. Exit also allows you to exit any menu or submenu without changing the settings.

1. Press the menu button (15) or key (41) to access the main menu.
2. Use the level control knob (14) or level keys (44) to select EXIT MENU.
3. Press the enter button (16) or key (42). You exit the menu mode.

Questions and Answers

Q. Should I leave my KCT on at all times?

A. Yes, Krell recommends that you leave your KCT preamplifier in the stand-by mode when it is not playing music. Turn your system off only if it will not be used for a long period of time.

Q. When I turn on the KCT there is a loud hum through the loudspeakers. What should I do?

A. When a new component is introduced into your system, a low frequency hum may occur in one or both loudspeakers. Check all input and output connections and cables, making sure they are of sound construction (see ***Troubleshooting System Noise***, on page 25). If the interconnects and cables are sound, you may be experiencing a ground loop, which can often be easily eliminated. Please contact your authorized dealer, distributor, or Krell for suggestions.

Q. Can I use the KCT CAST inputs or outputs with other manufacturers' components?

A. No. Only CAST-equipped components can be connected to CAST inputs or outputs. Connecting non-CAST components to these inputs or outputs can damage your equipment and void your warranty. See ***Connecting the KCT Preamplifier to your System***, on page 18.

Q. I want my CD player to play through the main zone and the radio to play through zone 2. Can I play one louder than the other?

A. Yes. Each zone on the KCT has independent volume control, so you can play music from one input device at the desired volume through the main zone, and play a second device through zone 2 at a different volume. You can also play an input device through one zone and record through the other zone, again, at separate volume levels. See ***Main Zone and Zone 2 Operation***, on page 22. Remember that you'll need one amplifier to drive your loudspeakers in the main zone and a second amplifier for the loudspeakers in zone 2.

Q. When I select the B-1 input on the KCT, one channel seems to have less gain than the other does. Is something wrong?

A. First, check the balance level using the balance and level keys. (See ***Remote Control Description***, on page 15.). If balance level is correct, check that the balanced input or output internal cable terminations are properly connected. Locate the channel that appears to have less gain. Switch that channel's input cables. If the problem now appears in the other channel, the cable is defective. If the problem remains in the original channel, check the output cables using the same procedure.

If the balance settings or cables are not causing the difference in gain, contact your authorized Krell dealer, distributor, or Krell.

Warranty

To register your product for warranty benefits, please complete and return the Warranty Registration Card enclosed in the shipping box within 15 days of purchase. Thank you.

This Krell product has a limited warranty of five years for parts and labor on circuitry. Should this product fail to perform at any time during the warranty, Krell will repair it at no cost to the owner, except as set forth in this warranty.

The warranty does not apply to damage caused by acts of God or nature.

The warranty on this page shall be in lieu of any other warranty, expressed or implied, including, but not limited to, any implied warranty of merchantability or fitness for a particular purpose. There are no warranties which exceed beyond those described in this document. If this product does not perform as warranted herein, the owner's sole remedy shall be repair. In no event will Krell be liable for incidental or consequential damages arising from purchase, use, or inability to use this product, even if Krell has been advised of the possibility of such damages.

Proof of purchase in the form of a bill of sale or receipted invoice substantiating that the unit is within the warranty period must be presented to obtain warranty service. The warranty begins on the date of the original retail purchase, as noted on the bill of sale or receipted invoice from an authorized Krell dealer or distributor. Previously owned equipment, when repurchased from an authorized Krell dealer or distributor, has the balance of the original warranty, based on the original date of manufacture.

The warranty for Krell products is valid only in the country to which they were originally shipped, through the authorized Krell distributor for that country, and at the factory. There may be restrictions on or changes to Krell's warranty because of regulations within a specific country. Please check with your distributor for a complete understanding of the warranty in your country.

If a unit is serviced by a distributor who did not import the unit, there may be a charge for service, even if the product is within the warranty period.

Freight to the factory is your responsibility. Return freight within the United States (U.S.A.) is included in the warranty. If you have purchased your Krell product outside the U.S.A. and wish to have it serviced at the factory, all freight and associated charges to the factory are your responsibility.

Krell will pay return freight to the U.S.A.-based freight forwarder of your choice. Freight and other charges to ship the unit from the freight forwarder to you are also your responsibility.

Krell is not responsible for any damage incurred in transit. Krell will file claims for damages as necessary for units damaged in transit to the factory. You are responsible for filing claims for shipping damages during the return shipment.

Krell does not supply replacement parts and/or products to the owner of the unit. Replacement parts and/or products will be furnished only to the distributor performing service on this unit on an exchange basis only; any parts and/or products returned to Krell for exchange become the property of Krell.

No expressed or implied warranty is made for any Krell product damaged by accident, abuse, misuse, natural or personal disaster, or unauthorized modification.

Any unauthorized voltage conversion, disassembly, component replacement, perforation of chassis, updates, or modifications performed to the unit will void the warranty.

The operating voltage of this unit is determined by the factory and can only be changed by an authorized Krell distributor or at the factory. The voltage for this product in the U.S.A. cannot be changed until six months from the original purchase date.

In the event that Krell receives a product for warranty service that has been modified in any way without Krell authorization, all warranties on that product will be void. The product will be returned to original factory layout specifications at the owner's expense before it is repaired. All repairs required after the product has been returned to original factory specifications will be charged to the customer, at current parts and labor rates.

All operational features, functions, and specifications and policies are subject to change without notification.

Return Authorization Procedure

HOW TO EXPEDITE SERVICE

If you believe there is a problem with your component, please contact your dealer, distributor, or the Krell factory to discuss the problem *before* you return the component for repair. To expedite service, you may wish to complete and e-mail the Service Request Form in the Service section of our website at:

<http://www.krellonline.com>

To contact the Krell Service Department:

TEL	203-799-9954 Monday-Friday, 9:00 am to 5:00 pm EST
FAX	203-799-9796
E-MAIL	service@krellonline.com
WEB SITE	http://www.krellonline.com

HOW TO RETURN A PRODUCT

To return a product to Krell, please follow this procedure so that we may serve you better:

1. Obtain a Return Authorization Number (R/A number) and shipping address from the Krell Service Department.
2. Insure and accept all liability for loss or damage to the product during shipment to the Krell factory and ensure all freight (shipping) charges are prepaid.

The product may also be hand delivered if arrangements with the Service Department have been made in advance. Proof of purchase will be required for warranty validation at the time of hand delivery.

IMPORTANT

Use the original packaging to ensure the safe transit of the product to the factory, dealer, or distributor. Krell may, at its discretion, return a product in new packaging and bill the owner for such packaging if the product received by Krell was boxed in nonstandard packaging or if the original packaging was so damaged that it was unusable. If Krell determines that new packaging is required, the owner will be notified before the product is returned.

HOW TO PURCHASE ADDITIONAL PACKING

To purchase additional packaging, please contact your authorized Krell dealer, distributor, or the Krell Service Department for assistance.

SERIAL NUMBER

Your KCT product serial number is: _____

Specifications

Inputs	2 pr. CAST (Lemo) 2 pr. Balanced (XLR) 3 pr. Single-ended (RCA)
Main Outputs	2 pr. CAST (Lemo) 1 pr. Balanced (XLR) 1 pr. Single-ended (RCA)
Zone 2 Outputs	1 pr. Balanced (XLR) 1 pr. Single-ended (RCA)
Tape Loop	1 pr. Single-ended Inputs (RCA), 1 pr. Single-ended Record Outputs (RCA), Buffered, with Programmable Zone
Control Inputs	1 RS-232 Input (9-pin D-subminiature Connector) 1 RC-5 Input (1/4-inch Coaxial Connector) 1 12V Trigger Input (3.5mm Connector)
Control Outputs	3 Individually Programmable 12V Triggers (3.5mm Connector), 1 Krell Remote Link (5-pin DIN Connector)
Power Inputs	1 IEC AC Mains Receptacle
Power Outputs	1 $\pm 20V$ DC for KPE (9-pin D-subminiature Connector)
Voltage Gain	12 dB (Balanced Output), 6 dB (Single-ended Output)
Current Gain	12 dB (CAST Output)
Volume Controls	16-bit Discrete R-2R Ladder (Main Zone) 16-bit Multiplying DAC (Zone 2)
Input Overload	12 mA RMS CAST 12 V RMS Balanced or Single-ended
Output Overload	7 V RMS Single-ended 14 V RMS Balanced 14 mA RMS CAST

Frequency Response	0.4 Hz-220 kHz \pm 0.1 dB (Main Zone) 0.1 Hz-1.5 MHz \pm 3 dB (Main Zone) 0.9 Hz-100 kHz \pm 0.1 dB (Zone 2) 0.4 Hz-400 kHz \pm 3 dB (Zone 2)
THD+Noise	<0.005% 20 Hz-20 kHz Balanced or Single-ended <0.004% 20 Hz-20 kHz CAST
Residual Noise	<-95 dB, wideband, unweighted <-109 dB, "A"-weighted
AC Mains Requirements	100, 120, 200, 220, or 240 V AC; 50 or 60 Hz; 60 W
Dimensions	19w x 4.5h x 14.5d in. 48w x 11.5h x 36.5d cm
Weight	Shipping 23 lb., 10.5 kg Unit Only 19 lb., 8.6 kg

Krell Industries, Inc.
45 Connair Road
Orange, CT 06477-3650 USA

TEL 203-799-9954, FAX 203-891-2028
E-MAIL krell@krellonline.com
WEBSITE <http://www.krellonline.com>

KCT
Krell Current Tunnel
CAST Preamplifier

v 01.0
